

# XT

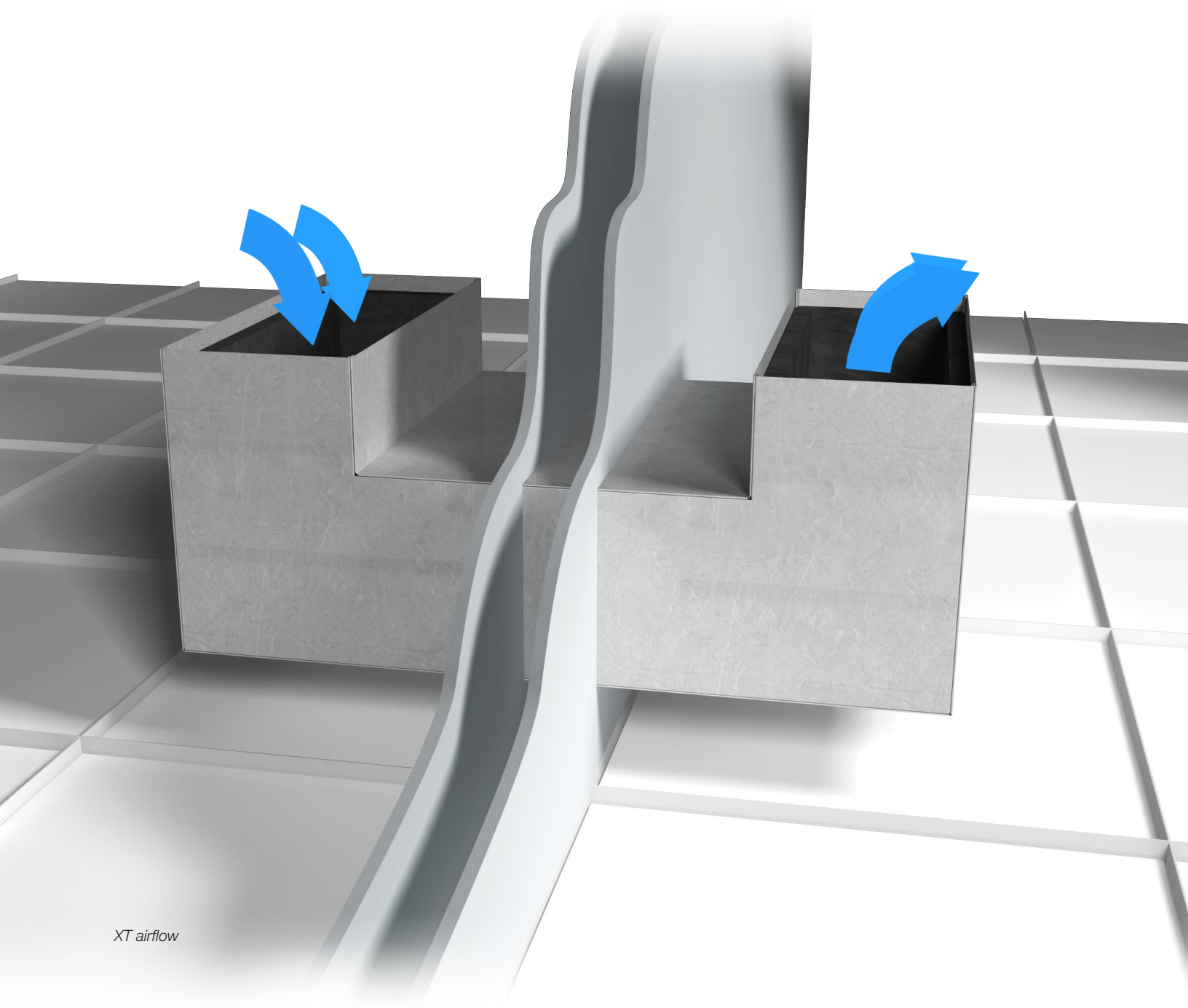
## CROSS TALK SILENCERS



# XT Cross Talk Silencers

---

Cross talk silencers allow air transfer between adjacent areas while providing the necessary attenuation to maintain the sound transmission class (STC) rating of the partition. The Cross talk silencers come lined with acoustic media and provide excellent noise reduction, while the design minimizes pressure drop and generated noise.



*XT airflow*

### QUALITY CONSTRUCTION

- + Cross Talk Silencers consist of a 22 gauge solid metal casing lined with acoustic media.
- + Silencers that exceed a width of 48 in. are built in multiple components, then field assembled (by others) into a bank that matches the required opening dimensions.

### FIRE RATED

- + Class 1 index: flame/smoke < 25/50
- + ASTM E84, UL 723, NFPA 255

### DESIGN FLEXIBILITY

- + Cross Talk Silencers are available in three different shapes, each ideal for a different application:
  - **L-Shaped** silencers are designed to reduce unwanted noise entering a space from a common plenum, shaft, or corridor.
  - **Z-Shaped** silencers are designed to minimize sound transmission through a wall or ceiling.
  - **U-Shaped** silencers are designed to prevent noise transfer between rooms or maintain STC performance.



### TYPICAL APPLICATIONS

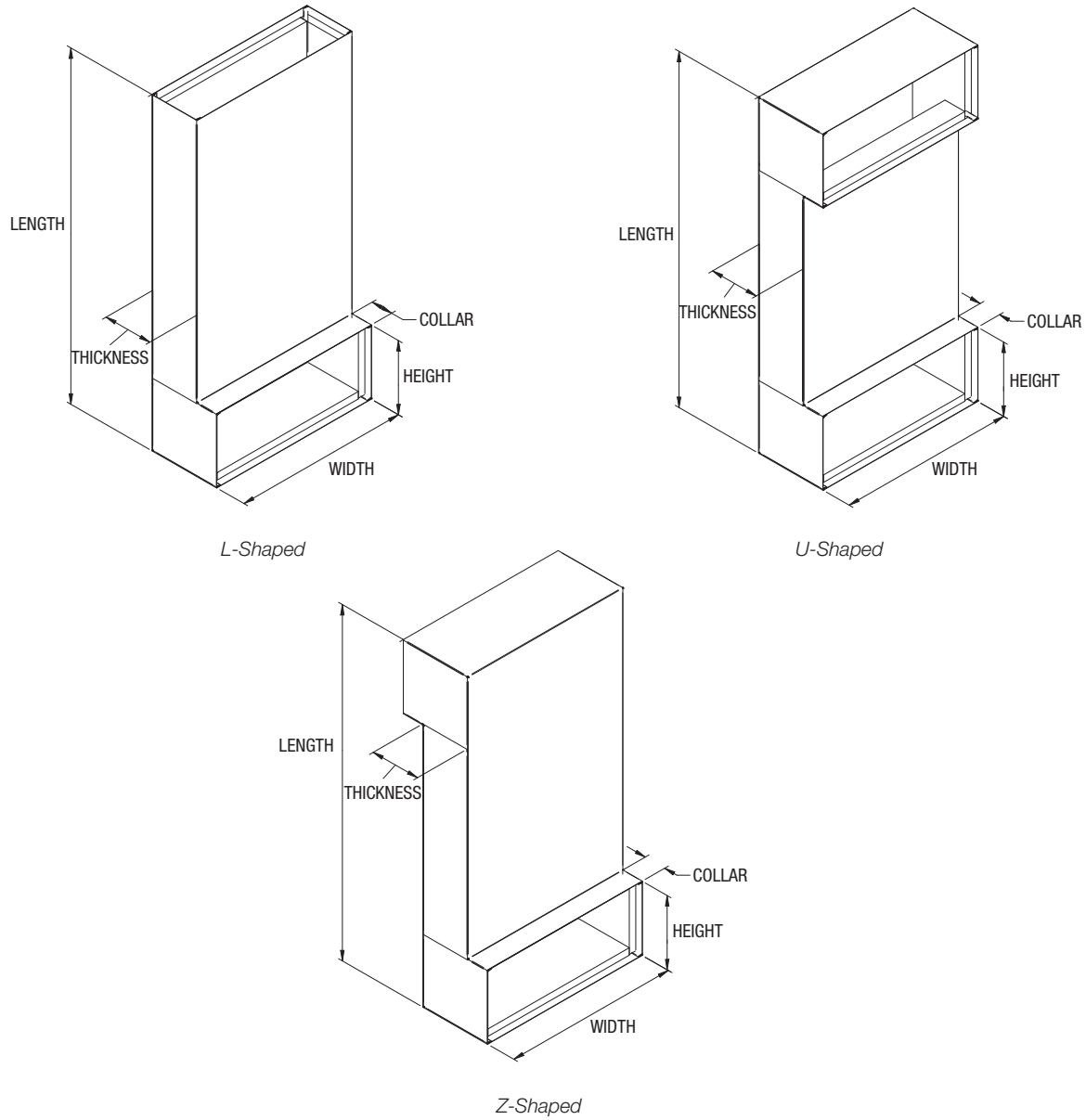
Cross Talk Silencers are designed to maintain sound transmission ratings in low velocity (below 750 fpm) applications where air is transferred between adjoining spaces. The acoustic media provides excellent attenuation of speech and unwanted noise while permitting fresh air to circulate continuously. Available for a variety of applications including walls, ceilings, and doors.

### CONSTRUCTION OPTIONS

- + Configuration
  - L Shape
  - U Shape
  - Z Shape
- + Acoustic Media
  - Fiberglass
  - Fiber free foam
  - Aluminum foil lined
- + Material
  - Galvanized Steel
  - Galvanneal
  - Stainless Steel
  - Aluminum
- + Accessories
  - Flanges
  - Grilles

## DIMENSIONAL DATA

XT Cross Talk silencers are built to match the required opening dimensions, therefore the width, height, thickness and length dimensions for the silencer must always be specified.



### Standard Dimension Limits

Width		Height	Collar	Thickness	Length		
Min	Max				XT-L	XT-Z	XT-U
6	48	6	3	3.5	42	48	48
6	48	8	3	5	40	48	48
6	48	10	3	7	38	48	48

1. All dimensions are in inches.
2. Standard sizes are based on raw material sizes and acceptable structural engineering practices.
3. For sizes outside the standard range, please contact your local sales representation.
4. When the overall width dimension exceeds the maximum width dimension, the silencer will consist of multiple components.

## PERFORMANCE DATA

### Noise Reduction (dB)

Type	Noise Reduction (dB) Measured at Octave Band Center Frequencies							
	63 Hz	125 Hz	250 Hz	500 Hz	1K Hz	2K Hz	4K Hz	8K Hz
Fiberglass	13	11	17	28	39	40	32	26
Fiber Free Foam	15	9	10	10	17	26	30	32
Aluminum Foil Liner	13	10	12	27	36	28	26	23

### Pressure Drop (in. w.g.)

Velocity (fpm)	100	200	300	400	500
in. w.g.	0.01	0.04	0.07	0.10	0.15

**Performance Notes:**

1. Velocity based on cross-sectional area (T x W)
2. Data tables are derived from test data in conformance with ASTM E477-20, with the Cross Talk specimen located at opening of the reverberation room.
3. Difficulty opening doors may be experienced for pressure drops exceeding 0.05 in. w.g.







Product Improvement is a continuing endeavour at Price. Therefore, specifications are subject to change without notice. Consult your Price Sales Representative for current specifications or more detailed information. Not all products may be available in all geographic areas. All goods described in this document are warranted as described in the Limited Warranty shown at [priceindustries.com](http://priceindustries.com). The complete Price product catalog can be viewed online at [priceindustries.com](http://priceindustries.com).